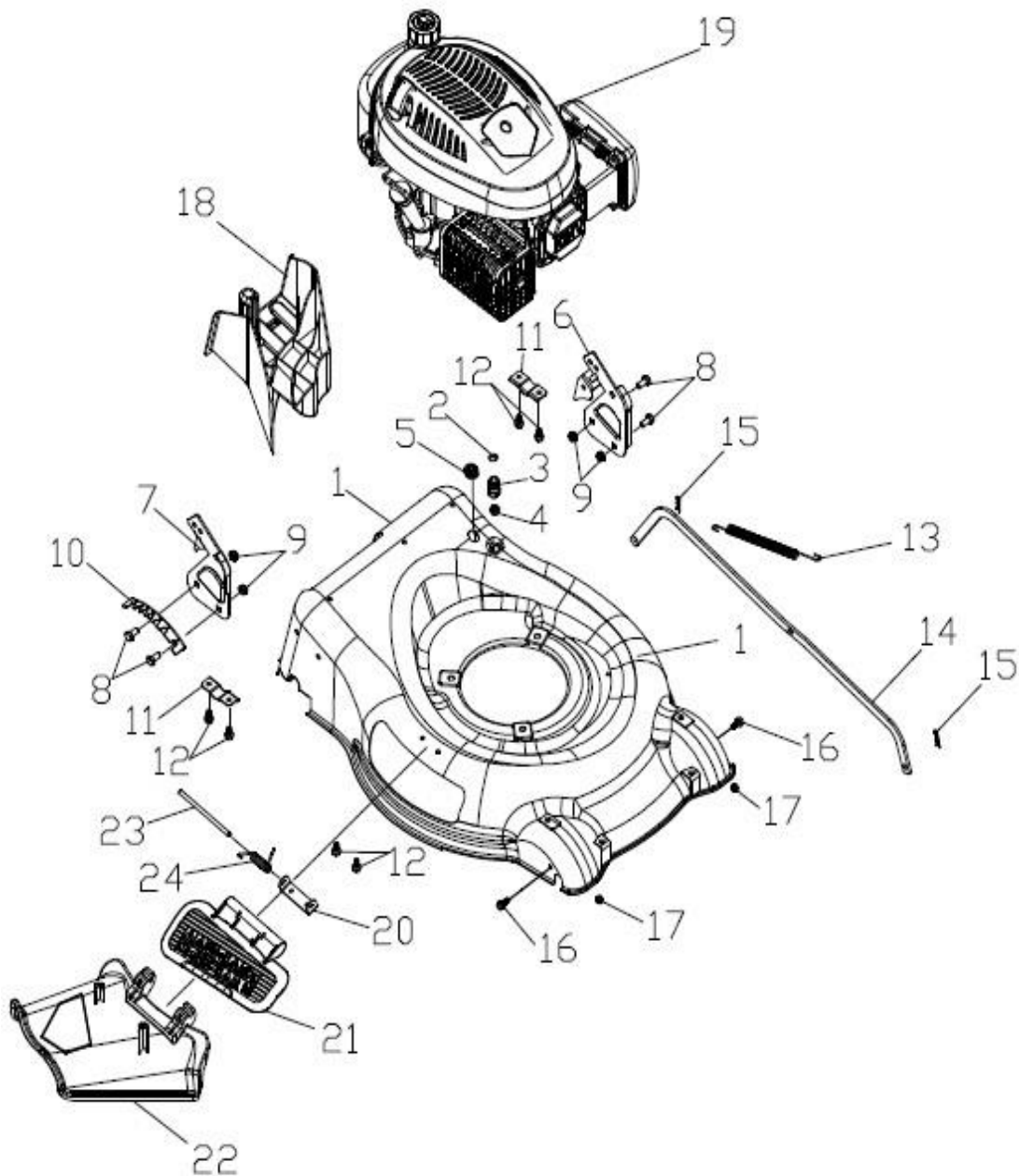
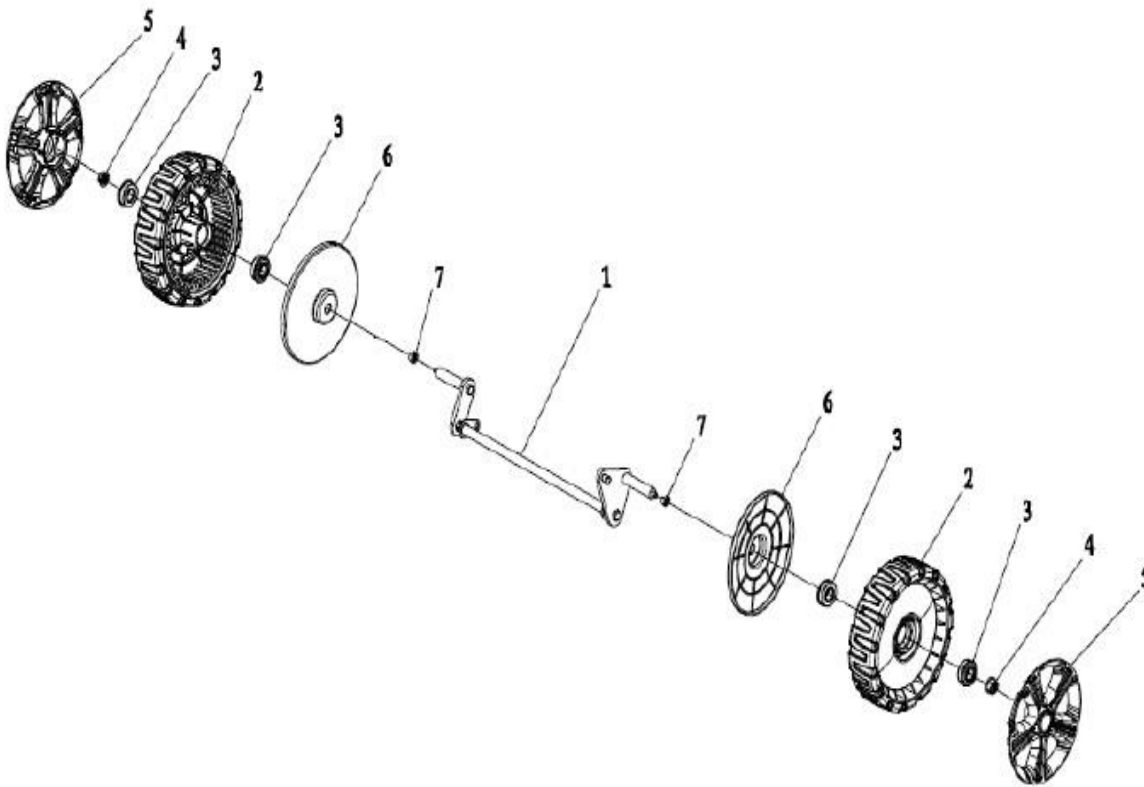


Pol.č.	Popis	Množstvo			
1	návlek rukojeti (foam pipe)	1	13	rychloupínák (quick fix knob)	2
2	páka brzdy (stop lever)	1	14	Pin	2
3	páka pojezdu (Self-propelled Lever)	1	15	šroub (Quick Fix Handle bolt)	2
4	madlo vrchní (upper handrail)	1	16	lock for fast fix handle (zámek)	2
5	hák (Rope Guide)	1	17	podložka (flat washer)	4
6	matice (Cap nut)	1	18	matice (lock nut)	2
7	doraz lanka (Brake Cable Assy plate)	1	19	matice (Hexagon nut)	4
8	šroub (Bolt)	2	20	spodní madlo (lower handrail)	1
9	matice (Self-locking nut)	2	21	sponka (fastener)	1
10	zarážka (Plastic stoppe)	1	22	čep (Hexagon head bolts)	2
11	lanko brzdy (brake cable)	1	23	šroub (Half round head square neck)	2
12	lanko pojezdu (selfpropelled cable)	1	24	matice (Hex lock nut)	2
			25	matice křídl. (triangle knob)	2

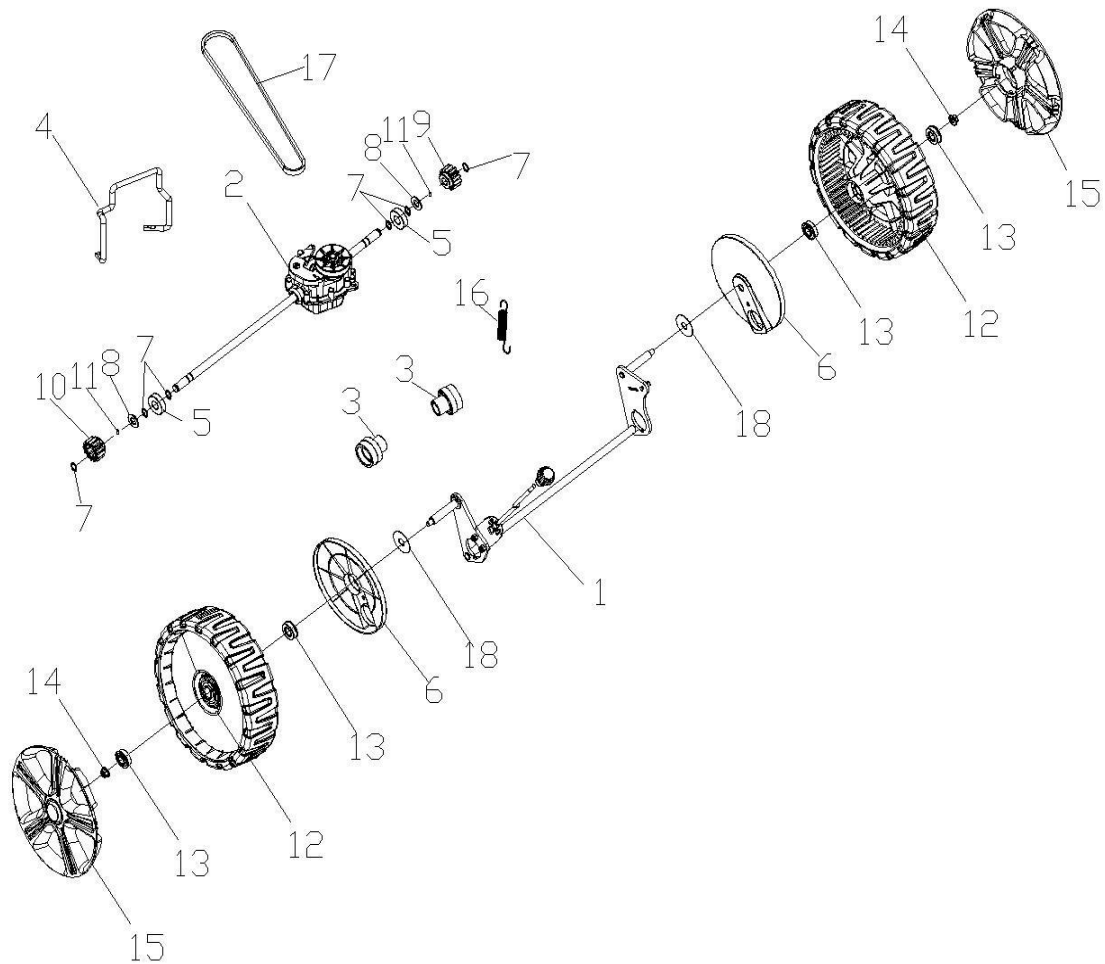


Pol.č.	Popis	Množstvo
1	šasi (deck welding assy.)	1
2	o-kroužek ("O" ring)	1
3	přípojka hadice (inlet)	1
4	matice (Pipe connector nut)	1
5	zarážka (cable stopper)	1
6	držák madla L (left handle bra	1
7	držák madlaR (left handle brac	1
8	šroub (Hexagon head bolts)	4
9	matice (Hex lock nut)	4
10	hřeben (height adjustment board)	1
11	držák (rear drive bracket)	2
12	šroub (Hex tapping screws)	6

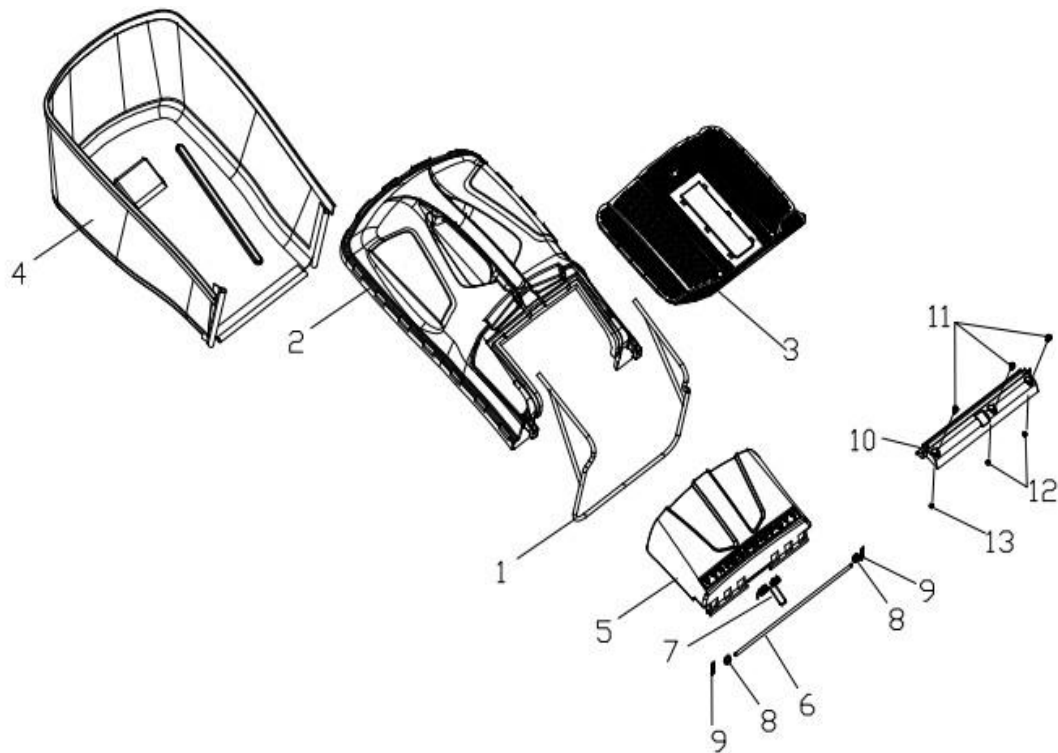
13	pružina (Pull Spring for Pull Rod)	1
14	táhlo (Height Adjustment Pull Ro	1
15	R type pin	2
16	šroub (Bolt)	2
17	matice (Self-locking nut)	2
18	mulč. záslepka (mulching plug)	1
19	motor (petrol engine)	1
20	držák (Bracket plate for defelctor)	1
21	boční deflektor (mulching board)	1
22	boční výhoz (side discharge cove	1
23	tyčka (Mulch Shaft)	1
24	pružina (mulch board spring)	1



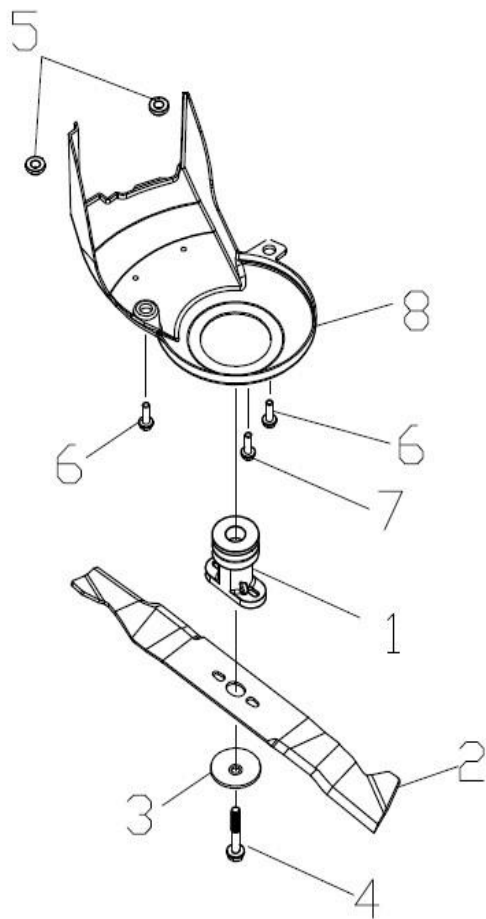
1	náprava (front drive assy.)	1
2	kolečko př. (wheel assy.)	2
3	ložisko (wheel punch bearing)	4
4	matice (Self-locking nut)	2
5	poklice (outer cover of hub)	2
6	vnitř. Kryt kola (inner cover of hub)	2
7	spona (front bracket fastener)	2




1	náprava zadní (rear drive assy.)	1
	koule (height adjustment ball)	1
2	převodovka poj. (selfpropelled ass 1	1
3	uložení nápr. (rear wheel axle sleeve 2	2
4	pružina brzdy (Brake spring)	1
5	uložení poloos (rear wheel axle sleeve 2	2
6	vnitřní kryt kol (inner cover of hub)	2
7	podložka (spring washer)	6
8	podložka (selfpropelled ratchet washer)	2
9	patorek L (Ratchet Wheel L)	1
10	pastorek R (Ratchet Wheel R)	1
11	kolík (bratchet pin)	2
12	kolečko (wheel assy.)	2
13	ložisko (wheel punch bearing)	4
14	matice (Self-locking nut)	2
15	poklice (outer cover of hub)	2
16	pružina (selfpropelled spring)	1
17	řemen (v belt)	1
18	těsnění (Gasket)	2








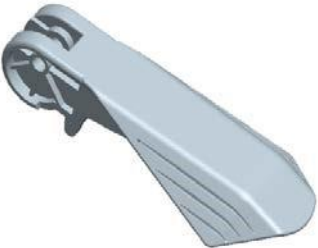
1	rám koše (fabric metal frame)	1
2	kryt koše (top of grass box)	1
3	filtrační deska (filter net of grass bag)	1
4	plátno koše (fabric grass bag)	1
5	deflektor (rear discharge cover)	1
6	tyčka (Shaft for rear discharge cover)	1
7	pružina (cover spring)	1
8	závlačka (lock washer)	2
9	kolík (R type pin)	2
10	držák defl. (rear discharge cover dust proof board)	1
11	šroub (Bolt)	3
12	mátice (Self-locking nut)	2
13	mátice (Cap nut)	1






1	unašeč nože (Blade Adapter Ass)	1
2	nůž (Double-edge blade)	1
3	podložka nože (blade washer)	1
4	šroub nože (Inch hex flange bolts)	1
5	pouzdro (Chassis bushing)	2
6	šroub (Hexagon Ch.Head self tapping screws)	2
7	šroub (Hexagon Ch.Division Head self tapping screws)	1
8	kryt řemene (belt cover)	1

1	Blade Adapter Assy	
---	--------------------	---

2	blade	
3	wheel assy.	
4	outer cover of hub	
5	wheel assy.	
6	outer cover of hub	

7	wheel punch bearing	
8	belt cover	
9	v belt	
10	mulching board	
11	side discharge cover	
12	quick fix knob	

13	Pin	
14	Quick Fix Handle	
15	flat washer	
16	lock nut	